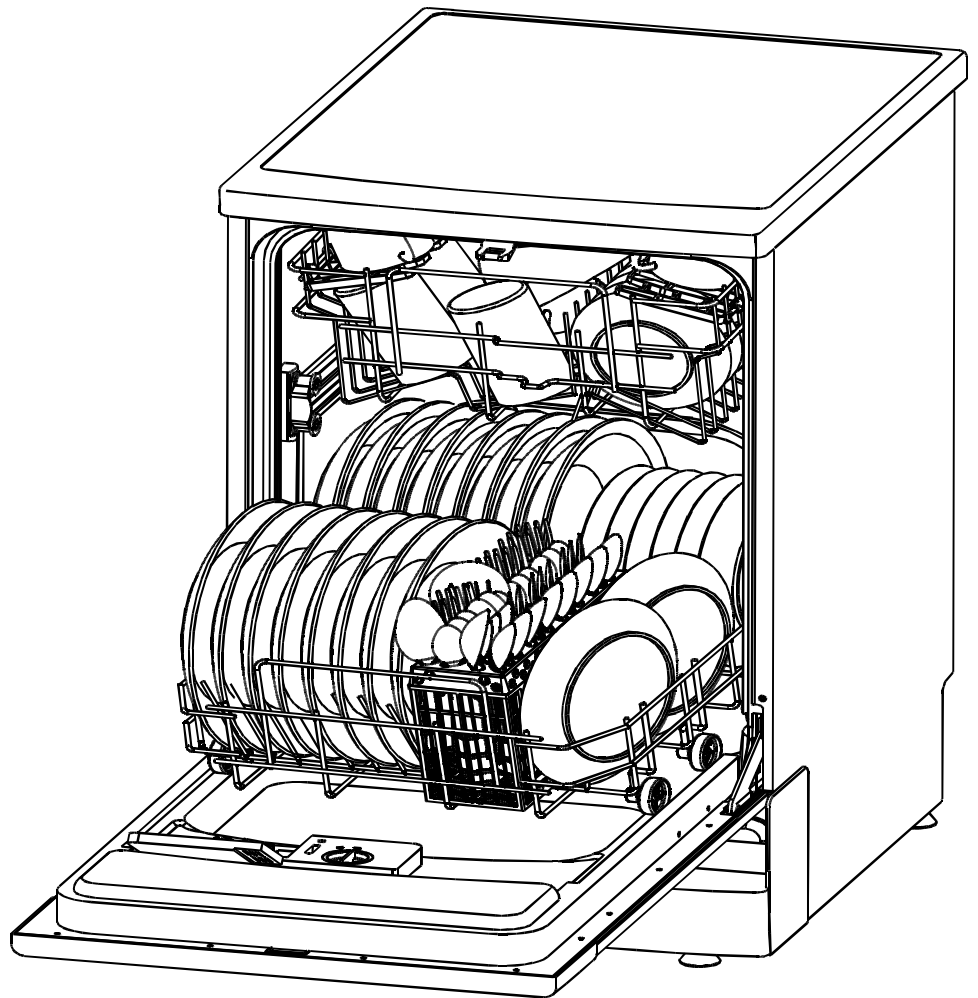




Dishwasher

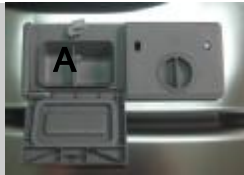

Instruction Manual

ADP8000



Quick operation guide

For detailed operating method read the corresponding content on the instruction manual.

Switch on the appliance	Press the Power button to switch on the appliance. Open the door.
Fill the detergent dispenser	<p>Compartment A: With each wash cycle.</p> <p>Compartment B: With pre-wash only. (Refer to the "Fill the Detergent and Rinse Aid dispensers" section.)</p> 
Check the rinse aid level	<p>Electric indicator on control panel.</p> <p>Or via the Mechanical indicator C.</p> 
Load the baskets	Scrape off any large amount of leftover food. Soften remnants of burnt food in pans, then load the baskets. It is commended to load the lower basket first, then the upper one. The Max. Capacity is 12 settings. Refer to the dishwasher loading instructions.
Select a program	Close the door, press the Program button and the selected program light will light up. (See the section entitled "Operating instruction" .)
How to use half load function	Press the Half load button to select the function. (Half load function means that the lower spray arm does not run, so you should load the upper basket only.)
How to use All-in-1 function	Press the All-in-1 button to select the function. (Only programs of intensive, heavy or normal can select the function.)
How to use Delay start function	Press the Delay button to delay the start of washing, and you can delay the start of washing for 3, 6, 9, or 12 hours.
Running the dishwasher	Turn on the water tap and press the Start/Pause button. The machine will start working after about 10 seconds.
<ul style="list-style-type: none"> Changing the program 	<ul style="list-style-type: none"> 1. A running cycle can only be modified if it has been running for a short time. Otherwise the detergent may have already been released and the water already drained. If this is the case, the detergent dispenser must be refilled. 2. Press the Start/Pause button for more than 3 seconds to cancel the running program. 3. Select a new program. 4. Restart the dishwasher.
<ul style="list-style-type: none"> Add forgotten dishes in the dishwasher 	<ul style="list-style-type: none"> 1. Press the START/PAUSE button to pause the washing; 2. Open the door. 3. Add the forgotten dishes. 4. Close the door, Press START/PAUSE button, the dishwasher will start running again after 10 seconds.
<ul style="list-style-type: none"> If the appliance is switched off during a wash cycle 	<ul style="list-style-type: none"> If the appliance is switched off during a wash cycle, when switched on again, please re-select the washing cycle and operate the dishwasher from the first step.
Switch off the appliance	When the working cycle has finished, the buzzer of the dishwasher will sound 8 times and then stop, the program light will stop flashing. Turn off the appliance using the Power button. Open the door slightly to assist in drying.
Turn off the water tap, unload the baskets	Warning: wait a few minutes (about 15 minutes) before unloading the dishwasher to avoid handling the dishes and utensils while they are still hot and more susceptible to break. They will also dry better. Unload the appliance, starting from the lower basket.

⚠ WARNING!
Open the door carefully. Hot steam may escape when the door is opened!



Read this Manual

Dear Customer,

- Please carefully read this manual before using the dishwasher, it will help you to use and maintain the dishwasher properly.
- Keep it to refer to it at a later date.
- Pass it on to any subsequent owner of the appliance.

This manual contains sections on Safety Instructions, Operating Instructions, Installation Instructions and Troubleshooting Tips, etc.



Before Calling for Service

- To review the section on Troubleshooting Tips will help you to solve some common problems by yourself .
- If you can not solve the problems by yourself , please ask for the help of professional technicians.



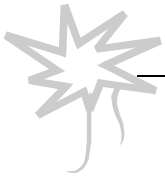
NOTE:

The manufacturer, following a policy of constant development and updating of the product, may make modifications without giving prior notice.

1) Safety Information.....	1
2) Operating Instructions.....	2
Control Panel.....	2
Dishwasher Features.....	2
3) Prior using for the first time.....	3
A. Fill the Rinse Aid Dispenser.....	3
Rinse Aid Dispenser.....	3
Adjusting Rinse Aid Dispenser.....	4
B. Function of Detergent	4
How to use the All-in-1 function.....	6
4) Loading the Dishwasher Basket.....	7
Attention before or after loading the Dishwasher Baskets.....	7
Loading the upper Basket.....	8
Loading the lower Basket.....	9
Cutlery Basket.....	9
5) Starting a washing program.....	10
Wash Cycle Table.....	10
Turning on the Appliance.....	11
Change the Program.....	11
At the End of the Wash Cycle.....	11
6) Maintenance and cleaning.....	12
Filtering System.....	12
Caring for the Dishwasher.....	13
7) Installation instruction.....	14
Positioning the Appliance.....	14
About Power Connection.....	14
Water Connection.....	15
Start of dishwasher.....	16
8) Troubleshooting Tips.....	17
Before calling for service.....	17
Error codes.....	18
Technical information.....	19

1. IMPORTANT SAFETY INFORMATION READ ALL OF THE INSTRUCTIONS BEFORE

▲ WARNING! When using your dishwasher, follow the precautions listed below:



▲ WARNING! HYDROGEN GAS IS EXPLOSIVE

Under certain conditions, Hydrogen gas may be produced in a hot-water system that has not been used for two weeks or more. **HYDROGEN GAS IS EXPLOSIVE.**

If the hot-water system has not been used for such a period of time, before using the dishwasher turn on all the hot-water taps and let the water flow from each of them for several minutes. This will release any accumulated hydrogen gas. As the gas is flammable, do not smoke or use an open flame during this time.



GROUNDING INSTRUCTIONS

- This appliance must be grounded. In the event of a malfunction or breakdown, grounding will reduce the risk of an electric shock by providing a path of least resistance of electric current. This appliance is equipped with a cord having an equipment-grounding conductor and a grounding plug.
- The plug must be plugged into an appropriate outlet that is installed and grounded in accordance with all local codes and ordinances.

▲ WARNING!

- Improper connection of the equipment-grounding conductor can result in the risk of an electric shock.
- Check with a qualified electrician or service representative if you are in doubt whether the appliance is properly grounded. Do not modify the plug provided with the appliance. If it does not fit the outlet, have a proper outlet installed by a qualified electrician.



WARNING! PROPER USE

- Do not abuse, sit on, or stand on the door or dish rack of the dishwasher.
- Do not operate your dishwasher unless all enclosure panels are properly in place. Open the door very carefully if the dishwasher is operating, there is a risk of water squirting out.
- Do not place any heavy objects on or stand on the door when it is open. The appliance could tip forward.
- When loading items to be washed:
 - 1) Locate sharp items so that they are not likely to damage the door seal;
 - 2) Warning: Knives and other utensils with sharp points must be loaded in the basket with their points down or placed in a horizontal position.
- Check that the detergent compartment is empty after completion of the wash cycle.
- Do not wash plastic items unless they are marked dishwasher safe or the equivalent. For plastic items not so marked, check the manufacturer's recommendations.
- Use only detergent and rinse additives designed for an automatic dishwasher.
- Never use soap, laundry detergent, or hand washing detergent in your dishwasher. Keep these products out of the reach of children.
- Do not use an extension cord or portable electrical outlet device (e.g. multi-socket outlet box) to connect the dishwasher to the power supply.
- Keep children away from detergent and rinse aid, keep children away from the open door of the dishwasher, there could still be some detergent left inside.
- This appliance is not intended for use by persons (including children) with reduced physical, sensory or mental capabilities, or lack of experience and knowledge, unless they have been given supervision or instruction concerning use of the appliance by a person responsible for their safety.
- Children should be supervised to ensure that they do not play with the appliance.
- Dishwasher detergents are strongly alkaline, they can be extremely dangerous if swallowed. Avoid contact with skin and eyes and keep children away from the dishwasher when the door is open.
- The door should not be left open, since this could increase the risk of tripping.
- If the supply cord is damaged, it must be replaced by the manufacturer or its service agent or a similarly qualified person in order to avoid a hazard.
- Remove the door to the washing compartment when removing an old dishwasher from service or discarding it.
- Please dispose of packing materials properly.
- Use the dishwasher only for its intended function.
- During installation, the power supply must not be excessively or dangerously bent or flattened. Do not tamper with controls.
- The appliance is to be connected to the water mains using new hose sets. Old hose-sets should not be reused.
- The maximum number of place settings to be washed is 12.
- The maximum permissible inlet water pressure is 1Mpa.
- The minimum permissible inlet water pressure is 0.04Mpa.

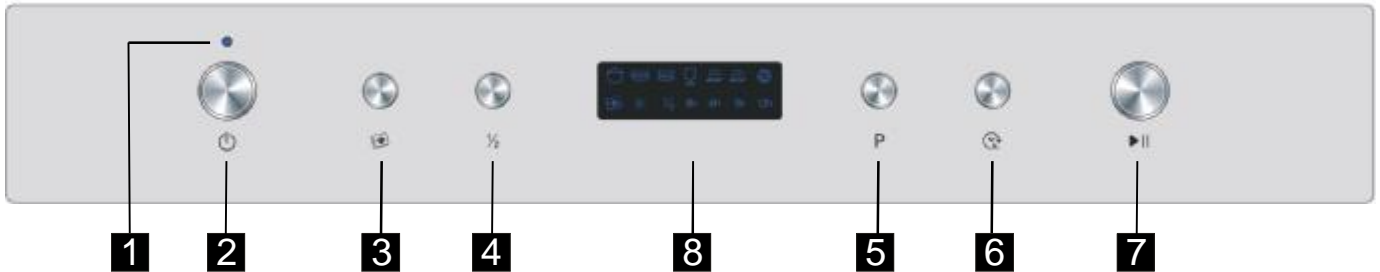
**READ AND FOLLOW THIS SAFETY INFORMATION CAREFULLY
KEEP THESE INSTRUCTIONS**








2. Operation Instruction

IMPORTANT!

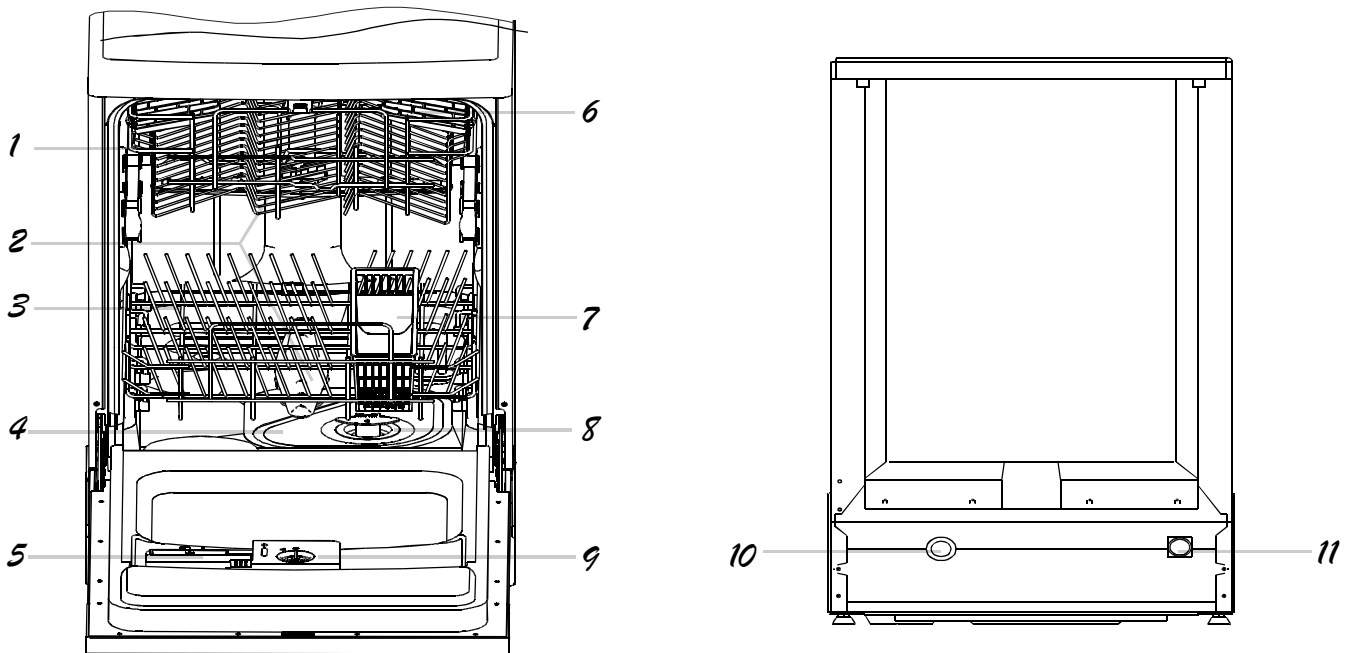
To get the best performance from your dishwasher, read all operating instructions before using it for the first time.

Control Panel



- 1** Power indicator light: Indicates the power supply.
- 2**  Power button: To turn on/off the power supply.
- 3**  All-in-1 function button: To select All-in-1 function.
- 4** $\frac{1}{2}$ Half load function Button: To select Half load function.
- 5** **P** Program button: To select your desired program.
- 6**  Delay Start button : To delay the start of washing.
- 7**  START/PAUSE button: to start or pause the dishwasher.
- 8** Display window indicates as follows:
 - Program indicators: 
 - All-in-1 function indicator: 
 - Rinse Aid indicator:  Indicates when the dispenser needs to be refilled.
 - Half load indicator: $\frac{1}{2}$
 - Delay hours indicator: 3h 6h 9h 12h

Dishwasher Features



- | | | | |
|-----------------------|------------------------------|------------------------------|--------------------------------------|
| 1 Upper Basket | 4 Main Filter | 7 Silverware Basket | 10 Drain hose connector |
| 2 Spray Arms | 5 Detergent Dispenser | 8 Coarse Filter | 11 Water inlet hose connector |
| 3 Lower Basket | 6 Cup Shelf | 9 Rinse Aid Dispenser | |

3. Fill the Detergent and Rinse Aid dispenser

A. Rinse Aid Dispenser

Rinse Aid Dispenser

The rinse aid is released during the final rinse to prevent water from forming droplets on your dishes, which can leave spots and streaks. It also improves drying by allowing water to roll off the dishes. Your dishwasher is designed to use liquid rinse aids. The rinse aid dispenser is located inside the door next to the detergent dispenser. To fill the dispenser, open the cap and pour the rinse aid into the dispenser until the level indicator turns completely black. The volume of the rinse aid container is about 110ml.

Function of Rinse Aid

Rinse aid is automatically added during the last rinse, ensuring thorough rinsing, with spot and streak free drying.

Attention!

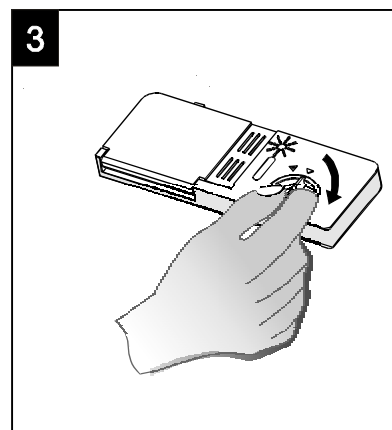
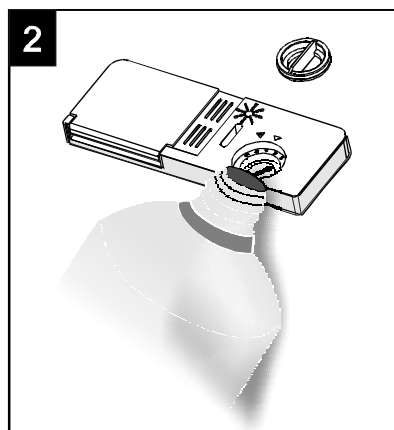
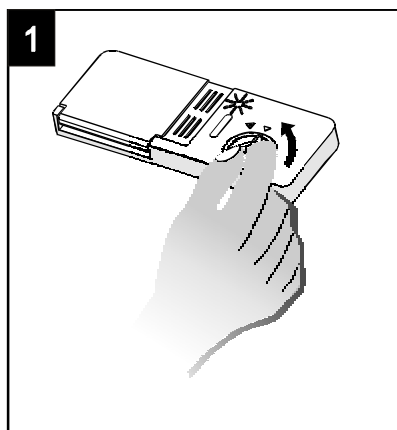
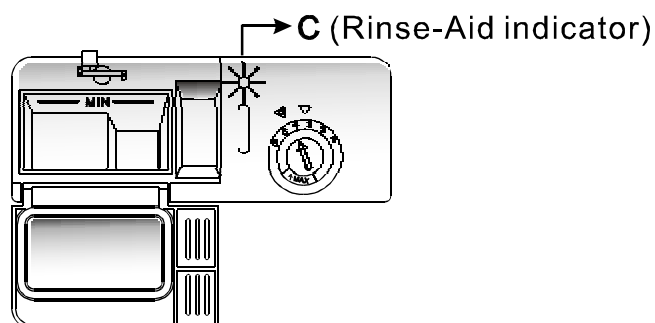
Only use branded rinse aid for dishwashers. Never fill the rinse aid dispenser with any other substances (e.g. Dishwasher cleaning agent, liquid detergent). This would damage the appliance.

When to Refill the Rinse Aid Dispenser

If there is no rinse-aid warning light in the control panel, you can estimate the amount from the colour of the optical level indicator "C" located next to the cap. When the rinse-aid container is full, the whole indicator will be dark. As the rinse-aid diminishes, the size of the dark dot decreases. You should never let the rinse aid level fall 1 / 4 full.

As the rinse aid diminishes, the size of the black dot on the rinse aid level indicator changes, as illustrated below.

- Full
- 3 / 4 full
- 1 / 2 full
- 1 / 4 full - Should refill to eliminate spotting
- Empty



- 1** To open the dispenser, turn the cap to the "open" (left) arrow and lift it out.
- 2** Pour the rinse aid into the dispenser, being careful not to overfill.
- 3** Replace the cap by inserting it aligned with "open" arrow and turning it to the closed (right) arrow.

! NOTE: Clean up any rinse aid spilled while during filling with an absorbent cloth to avoid excessive foaming during the next wash. Don't forget to replace the cap before you close the dishwasher door.

Adjusting Rinse Aid Dispenser



Adjust lever
(Rinse)

The rinse aid dispenser has four scales. Set the lever to the position "3". If there is excessive foaming at the end of the wash, reduce the setting to "1" or "2". If dishes are wet or streaky after drying, adjust to "4".

! NOTE:

Increase the dose if there are drops of water or lime spots on the dishes after washing. Reduce it if there are sticky whitish stains on your dishes or a bluish film on glassware or knife blades.

B. Function of Detergent

Detergents with its chemical ingredients are necessary to remove dirt, crush dirt and transport it out of the dishwasher. Most of the commercial quality detergents are suitable for this purpose.

Detergents

There are 3 sorts of detergents

1. With phosphate and with chlorine
2. With phosphate and without chlorine
3. Without phosphate and without chlorine

Normally new pulverised detergent is without phosphate. If detergents without phosphate are used in the case of hard water often white spots appear on dishes and glasses. In this case please add more detergent to reach better results. Detergents without chlorine do only bleach a little. Strong and coloured spots will not be removed completely. In this case please choose a program with a higher temperature.

Concentrated Detergent

Based on their chemical composition, detergents can be split in two basic types:

- conventional, alkaline detergents with caustic components
- low alkaline concentrated detergents with natural enzymes

The use of "normal" washing programs in combination with concentrated detergents reduces pollution and is good for your dishes; these wash programs are specifically matched to the dirt-dissolving properties of the enzymes of the concentrated detergent. For this reason "normal" wash programs in which concentrated detergents are used can achieve the same results that can otherwise only be achieved using "intensive" programs.

Detergent Tablets

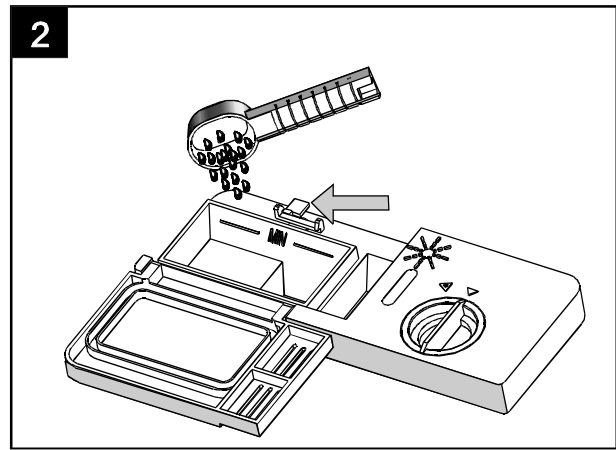
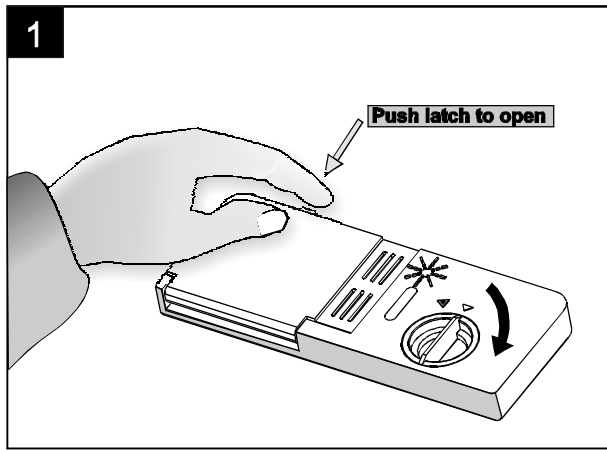
Detergent tablets of different brands dissolve at different speeds. For this reason some detergent tablets cannot dissolve and develop their full cleaning power during short programs. Therefore please use long programs when using detergent tablets, to ensure the complete removal of detergent residuals.

Detergent Dispenser

The dispenser must be refilled before the start of each wash cycle following the instructions provided in the wash cycle table .

Generally, only one tablespoon of detergent is needed for a normal wash load. More heavily soiled items need more detergent. Always add the detergent just before starting the dishwasher, otherwise it could get damp and will not dissolve properly.

Amount of Detergent to Use



NOTE:

- If the lid is closed: press release button. The lid will spring open.
- Always add the detergent just before starting each wash cycle.
- Only use branded detergent aid for dishwasher.

WARNING!

Dishwasher detergent is corrosive! Take care to keep it out of reach of children.

Proper Use of Detergent

Use only detergent specifically made for the use in dishwashers. Keep your detergent fresh and dry. Don't put powdered detergent into the dispenser until you're ready to wash dishes.

Fill in Detergent

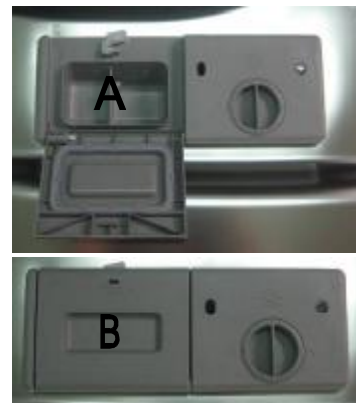
Fill the detergent dispenser with detergent. The marking indicates the dosing levels, as illustrated on the right:

- A** Main wash cycle detergent compartment.
- B** Pre-wash cycle detergent compartment.

Please observe the detergent manufacturer dosage and storage recommendations as stated on the detergent packaging.

Close the lid and press until it locks into place.

If the dishes are heavily soiled, place an additional detergent dose in the pre-wash detergent chamber.



NOTE:

Please refer to the section "Wash cycle table" for information regarding the dosage of detergent on each program selected.

Use of All-in-1 Tablet Detergents

These products are detergents with integrated and combined detergent/rinse aid and salt functions. Before using these products you should first check that the water hardness in your supply is compatible with the use of these products as per the detergent manufacturer information on the product packing. These products should be strictly used according to the detergent manufacturer's instructions. In general detergents that include rinse aid or water softener are only able to provide good results under certain conditions. For this reason in some cases there might be unwanted cleaning or drying results. If you encounter problems when using these products for the first time please contact the detergent manufacturer care line. The manufacturer of your dishwasher is not liable for damages caused by compact detergents nor gives warranty if you use compact detergents. If you use detergents or tablets that contain rinse aid, do not use additional liquid rinse aid.



NOTE:

When using All-in-1 detergents, please pay attention to make sure that the size of the detergent is fitted to the dispenser and the dispenser will not break.



Attention:

Keep all detergents in a safe place out of children's reach.
Always add the detergent in the dispenser just before starting the dishwasher.

How To Use The All-in-1 Function

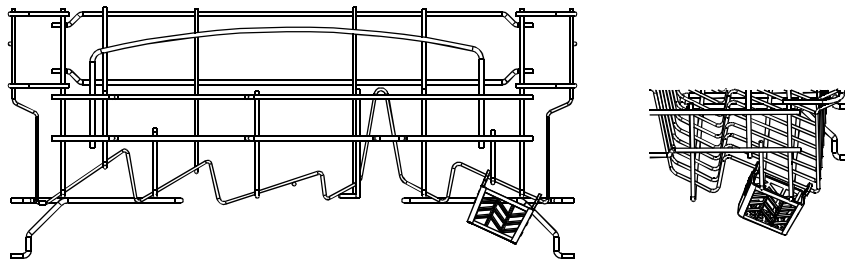
Your dishwasher has a All-in-1 function. Only Intensive, Heavy and Normal programs can select this function. When selected, you do not need to fill the rinse aid dispenser. This dishwasher comes with a All-in-1 tablet container as an accessory.



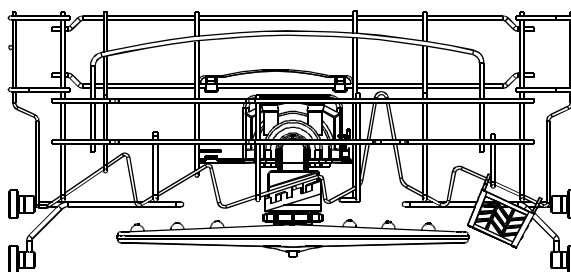
NOTE:

When you use All-in-1 tablets, please select the All-in-1 function to achieve the best possible performance.

1. The figure below shows how to hang the All-in-1 tablet container on the upper basket.



2. Rotate the upper spray arm and ensure that the upper spray arm is not obstructed by the All-in-1 tablet container. Refer to the figure below for reference.



3. Put the All-in-1 tablet into the container, then select the All-in-1 function.

4. Loading the Dishwasher

Recommendation

- Consider buying utensils which are identified as dishwasher-proof.
- Use a mild detergent that is described as 'kind to dishes'. If necessary, seek further information from the detergent manufacturer.
- To prevent damage, take glass and cutlery out of the dishwasher as soon as possible after the program has ended.

For washing in the dishwasher the following cutlery/dishes

Are not suitable

- Cutlery with wooden, horn china or mother-of-pearl handles
- Plastic items that are not heat resistant
- Older cutlery with glued parts that are not temperature resistant
- Bonded cutlery items or dishes
- Pewter or cooper items
- Crystal glass
- Steel items subject to rusting
- Wooden platters
- Items made from synthetic fibres

Are of limited suitability

- Some types of glasses can become dull after a large number of washes
- Silver and aluminum parts have a tendency to discolour during washing
- Glazed patterns may fade if machine washed frequently

Attention before or after loading the Dishwasher Baskets

For best performance of the dishwasher, follow these loading guidelines.
Features and appearance of baskets and cutlery baskets may vary from your model.

Scrape off any large amounts of leftover food and soften remnants of burnt food in pans.
It is not necessary to rinse the dishes under running water.

Place objects in the dishwasher as follows:

1. Items such as cups, glasses, pots/pans, etc. are faced downwards.
2. Curved items, or ones with recesses, should be loaded aslant so that water can run off.
3. All utensils are stacked securely and can not tip over.
4. All utensils are placed in the way that the spray arms can rotate freely during washing.



NOTE: Very small items should not be washed in the dishwasher as they could easily fall out of the basket.

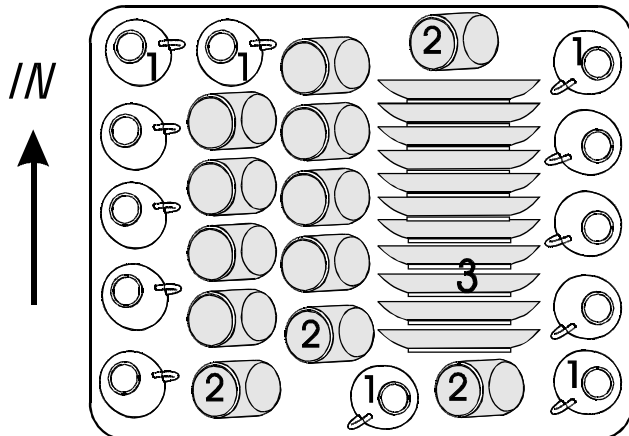
- Load hollow items such as cups, glasses, pans, etc. With the opening facing downwards so that water cannot collect in the container or a deep base.
- Dishes and items of cutlery must not lie inside one another, or cover each other.
- To avoid damage to glasses, they must not touch.
- Load large items which are most difficult to clean into the lower basket.
- The upper basket is designed to hold more delicate and lighter dishware such as glasses, coffee and tea cups.
- Do not load long bladed knives in an upright position as they are a potential hazard.
- Long and/or sharp items of cutlery such as carving knives must be positioned horizontally in the upper basket.
- Please do not overload your dishwasher.

Removing the Dishes

To prevent water dripping from the upper basket into the lower basket, we recommend that you empty the lower basket first and then the upper basket.

Loading the Upper Basket

The upper basket is designed to hold more delicate and lighter dishware such as glasses, coffee and tea cups and saucers, as well as plates, small bowls and shallow pans (as long as they are not too dirty). Position the dishes and cookware so that they will not get moved by the spray of water.



Saucers



Glasses

Use the Upper Basket

The upper rack is for delicate and lighter dishware such as glasses, coffee & tea cups, saucers, plates, bowls, and shallow pans (provided these are not too dirty).

Position the dishes and cookware so that they do not get moved by the spray of water. Always place glasses, cups & bowls upside down.

NOTE:

Your dishwasher comes with an adjustable top rack (basket) pictured at right. Its height can be adjusted by lifting the handle in a downward or upward direction. (pls see the figures on the right).

Ensure the left and right handles are both located in its correct position.



POSITION 1



POSITION 2



NOTE:

The upper rack has side flaps (pictured at left above basket). There are 4 (2 on each side). These can be adjusted into 2 positions = position 1 (high) and position 2 (low).

To move the flaps between these positions, locate the large hinges clip each flap to the upper rack. There are two of these at either end of each flap. Gently pull both clips off the wire rack and move the flap to the desired position. Be careful if you have long fingernails!

Position 1

The upper position will accommodate items such as glass tumblers (placed beneath flap) and wine glasses. Wine glasses can be placed upside down so that the neck rests in the grooves at side of flap with the base of the glass facing upward.

Position 2

When the flaps are moved to the lower position, they can be used to hold additional tumblers, cups and mugs. Always check that you are only placing items on the flaps that will clear the ceiling height of your dishwasher when you push the rack back in. Be particularly careful with long-stemmed glassware such as champagne glasses due to breakage hazard!







5. Starting a washing programme

Wash Cycle Table



NOTE:

When select the All-in-1 function ,the parameter of the washing program will be small different with the below shown. Only programs of Intensive, Heavy or Normal can select the function.

Program	Cycle Selection Information	Description of Cycle	Detergent pre-wash/main-wash	Rinse Aid	Running time(min)	Energy (kWh)	Water (L)
 Intensive	For the heaviest soiled loads, such as pots, pans, casserole dishes and dishes that have baked on food.	Pre-wash(50°C) Pre-wash Wash (65 °C) Rinse Rinse Rinse (55 °C) Drying	5/25g	Required	130	1.5	23
 Heavy	For heavily soiled loads, such as pots, plates, glasses and heavily soiled pans.	Pre-wash(50°C) Wash (50 °C) Rinse Rinse (65 °C) Drying	5/25g	Required	155	1.3	15.5
 Normal <small>(*AS/NZS 2007.1)</small>	For normally soiled loads, such as plates, glasses, bowls and normally soiled pans.	Pre-wash Wash (55 °C) Rinse Rinse (52 °C) Drying	5/25g	Required	130	0.9	12.1
 Glass	For lightly soiled loads, such as glasses, crystal and fine china.	Pre-wash Wash (40 °C) Rinse Rinse (60 °C) Drying	0/20 g	Required	95	0.85	15.5
 Express	A shorter wash for lightly soiled loads.	Wash (60 °C) Rinse Rinse (50 °C) Drying	0/20g	Required	60	0.9	11.5
 Express	A shorter wash for lightly soiled loads that do not need drying.	Wash (40 °C) Rinse Rinse (45 °C)	0/20g	Not Required	30	0.55	12.5
 Soak	To rinse dishes that you plan to wash later on the same day.	Pre-wash	/	Not Required	8	0.01	4

NOTE:

* AS/NZS 2007.1: This programme is the test cycle. The information for comparability test in accordance with AS/NZS 2007.1, as follows:

- Capacity: 12 setting
- Position Upper basket: In position 1 (Page 8)
- Rinse aid setting: 4
- Open the door slightly 50mm to assist in drying of the dishes after every wash
- The consumption values are approximate and the exact consumption depend on the type of dish load, water temperature and pressure.

Turning On the Appliance

Starting a cycle wash

- 1 Open the door, draw out the lower and upper basket, load the dishes and push them back. It is recommended to load the lower basket first, then the upper one (see the section entitled "Loading the Dishwasher").
- 2 Pour in the detergent (see the section entitled "Detergent and Rinse Aid").
- 3 Ensure that the dishwasher is connected to the power supply, the water is connected and turned on and the drain hose is connected correctly.
- 4 Close the door, press the power button, and the power indicator light will turn on.
- 5 Press the program button to select the desired wash program, then press the Start/Pause button and the dishwasher starts.

NOTE:

When you press the Start/Pause button to pause during washing, the program light will stop blinking and the dishwasher will sound every minute unless you press the Start/Pause button to start.

Changing a washing program

Premise:

- 1 A cycle that is underway can only be modified if it has only been running for a short time. Otherwise, the detergent may have already been released, and the appliance may have already drained the wash water. If this is the case, the detergent dispenser must be refilled.
- 2 Press the Start/Pause button and then press the program button for more than 3 seconds to put the machine in a standby state. On in standby state, you can change the program to the desired cycle setting (see the section entitled "Starting a washing program").
- 3 The program indicator lights show the state of the dishwasher:
 - a) The selected program indicator is flashing-->The program is running.
 - b) The selected program indicator is on but not flashing-->The dishwasher is in standby state or pause.
 - c) Some of the program lights are flashing more quickly-->Error (see the section entitled "Error codes").

NOTE:

If you open the door during a wash cycle, the machine will pause. The program light will stop blinking and the buzzer will sound every minute unless you close the door. After you close the door, the machine will keep on working after 10 seconds.

NOTE:

If some of the program lights keep flashing very quickly after the warning sound, that indicates that the machine is out of order, please note down which lights are flashing, turn off the main power and water supply before calling for a service (see the section entitled "Error codes").

Forgot to Add a Dish?

A forgotten dish can be added any time before the detergent dispenser opens.

- 1 Press the START/PAUSE button.
- 2 After the spray arms stop working, you can open the door completely.
- 3 Add forgotten dishes.
- 4 Close the door.
- 5 Press the START/PAUSE button, the dishwasher will run after 10 seconds.

 **WARNING!** It is dangerous to open the door when washing, because the hot water may scald you.

At the End of the Wash Cycle

When the working cycle has finished, the buzzer of the dishwasher will sound for 8 seconds, then stop. Turn off the appliance using the power button, shut off the water supply and open the door of the dishwasher. Wait for a few minutes before unloading the dishwasher to avoid handling the dishes and utensils while they are still hot and more susceptible to breakage. They will also dry better.

■ Switch Off the Dishwasher

1. Switch off the dishwasher by pressing the power button.
2. Turn off the water tap.

■ Open the door carefully

Hot dishes are sensitive to knocks. The dishes should therefore be allowed to cool down before removing from the appliance.

Open the dishwasher's door, leave it ajar and wait a few minutes before removing the dishes. In this way they will be cooler and the drying will be improved.

■ Unloading the dishwasher

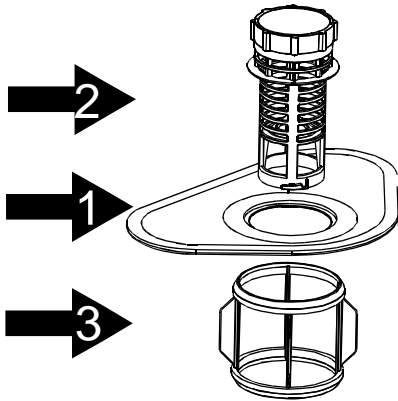
It is normal that the dishwasher is wet inside.

Empty the lower basket first and then the upper one. This will avoid water dripping from the upper basket onto the dishes in the lower one.

6. Maintenance and Cleaning

Filtering System

The filter prevents larger remnants of food or other objects from getting inside the pump. The residues may block the filter, in this case they must be removed.



The filter system consists of a coarse filter, a flat (Main filter) And a microfilter(Fine filter).

Main filter **1**

Food and soil particles trapped in this filter are pulverized by a special jet on the lower spray arm and washed down to drain.

Coarse filter **2**

Larger items, such as pieces of bones or glass, that could block the drain are trapped in the coarse filter. To remove the items caught by the filter, gently squeeze the tap on the top of this filter and lift it out.

Microfilter **3**

This filter holds soil and food residues in the sump area and prevents it from being redeposited on the dishes during the wash cycle.

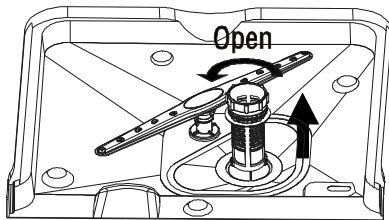
Filter assembly

The filter efficiently removes food particles from the wash water, allowing it to be recycled during the cycle. For best performance and results, the filter must be cleaned regularly. For this reason, it is recommended to remove the larger food particles trapped in the filter after each wash cycle by rinsing the filters under running water. To remove the filter device as follows:

⚠ WARNING!

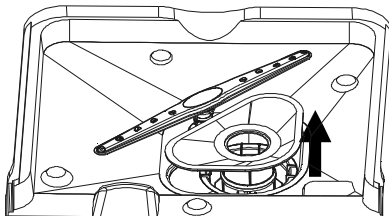
- The dishwasher must never be used without the filters.
- Improper replacement of the filter may reduce the performance level of the appliance and damage dishes and utensils.

1



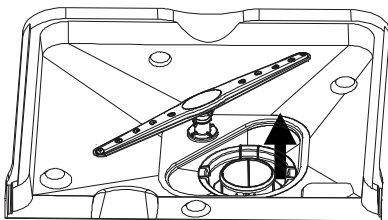
Step 1: Turn the filter in anti-clockwise direction, then lift it up.

2



Step 2: Lift the Main filter up

3



Step 3: Lift the Microfilter up



NOTE: *When following this procedure from step 1 to step 3, the filter system will be removed; when following it from Step 3 to Step 1, the filter system will be installed.*

! **NOTE:** The entire filter assembly should be cleaned at least once a week.

Cleaning the Filter

To clean the filters, use a cleaning brush. Reassemble the filter parts as shown and re-insert the entire assembly in the dishwasher, positioning it in its seat and turn it in clockwise direction.

! **WARNING!** When cleaning the filters, do not knock on them. Otherwise, the filters could be contorted and the performance of the dishwasher could be decreased.

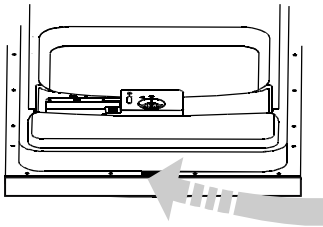
Caring for the Dishwasher

The control panel can be cleaned by using a lightly dampened cloth. After cleaning, make sure to dry it thoroughly.

For the exterior, use a good appliance polish wax.

Never use sharp objects, scouring pads or harsh cleaners on any part of the dishwasher.

Cleaning The Door



To clean the edge around the door, you should use only a soft warm, damp cloth. To avoid penetration of water into the door lock and electrical components, do not use a spray cleaner of any kind. Clean the seals periodically with a clean damp cloth.

! **WARNING!**

- Never use a spray cleaner to clean the door panel as it may damage the door lock and electrical components.
- Abrasive agents or some paper towels should not be used because of the risk of scratching or leaving spots on the stainless steel surface.

Protect Against Freezing

In case you live in regions where temperature can drop below 0°C, please take frost protection measures on the dishwasher in winter. Every time after washing cycles, please operate as follows:

1. Cut off the electrical power to the dishwasher.
2. Turn off the water supply and disconnect the water inlet hose from the water valve.
3. Drain the water from the inlet hose and water valve. (Use a pan to catch the water)
4. Reconnect the water inlet hose to the water valve.
5. Remove the filter at the bottom of the tub and use a sponge to soak up water in the sump.

! **NOTE:** *If your dishwasher cannot work because of the ice, please contact qualified a service representative.*

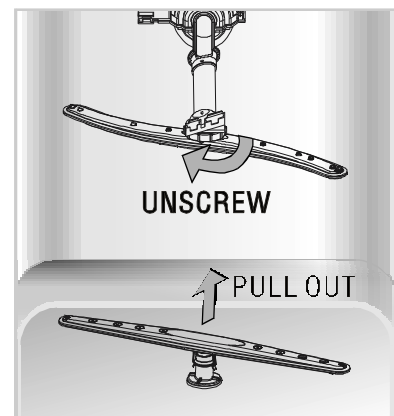
Cleaning the Spray Arms

It is necessary to clean the spray arms regularly as hard water chemicals can clog the spray arm jets and bearings.

To remove the upper spray arm, screw off the nut clockwise then remove the arm.

To remove the lower spray arm, pull out the spray arm upward.

Wash the arms in soapy and warm water and use a soft brush to clean the jets. Reassemble them after rinsing them thoroughly.



How to Keep Your Dishwasher in Shape

■ After Every Wash

After every wash, turn off the water supply to the appliance and leave the door slightly open so that moisture and odours are not trapped inside.

■ Remove the Plug

Before cleaning or performing maintenance, always remove the plug from the socket.

■ No Solvents or Abrasive Cleaning

To clean the exterior and rubber parts of the dishwasher, do not use solvents or abrasive cleaning products. Only use a cloth with warm soapy water. To remove spots or stains from the surface of the interior, use a cloth dampened with water and a little vinegar, or a cleaning product made specifically for dishwashers.

■ When not in Use for a Long Time

It is recommended that you run a wash cycle with the dishwasher empty and then remove the plug from the socket, turn off the water supply and leave the door of the appliance slightly open. This will help the door seals to last longer and prevent odours from forming within the appliance.

■ Moving the Appliance

If the appliance needs to be moved, try to keep it in the vertical position. If absolutely necessary, it can be positioned on its back.

■ Seals

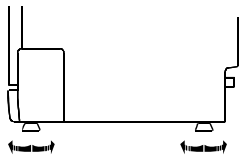
One of the factors that cause odours to form in the dishwasher is food that remains trapped in the seals. Periodic cleaning with a damp sponge will prevent this from occurring.

7. Installation instruction

Positioning the Appliance

Position the appliance in the desired location. The back should rest against the wall behind it, and the sides, along the adjacent cabinets or walls. The dishwasher is equipped with water supply and drain hoses that can be positioned either to the right or the left sides to facilitate proper installation.

Levelling the Appliance



Once the appliance is positioned for levelling, the height of the dishwasher may be altered via adjustment of the screwing level of the feet. In any case, the appliance should not be inclined more than 2°.

About Power Connection

⚠ WARNING!

For personal safety:

- DO NOT USE AN EXTENSION CORD OR AN ADAPTER PLUG WITH THIS APPLIANCE.
- DO NOT UNDER ANY CIRCUMSTANCES, CUT OR REMOVE THE EARTHING CONNECTION FROM THE POWER CORD.

Electrical Requirements

Please look at the rating label to know the rating voltage and connect the dishwasher to the appropriate power supply. Use the required fuse 10 amp, time delay fuse or circuit breaker recommended and provide separate circuit serving only this appliance.

Electrical Connection

⚠ Ensure proper ground exists before use

Ensure the voltage and frequency of the power being corresponds to those on the rating plate. Only insert the plug into an electrical socket which is earthed properly. If the electrical socket to which the appliance must be connected is not appropriate for the plug, replace the socket, rather than using adaptors or the like as they could cause overheating and burns.



GROUNDING INSTRUCTIONS

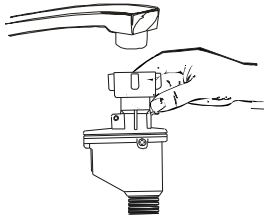
- This appliance must be earthed. In the event of a malfunction or breakdown, earthing will reduce the risk of electric shock by providing a path of least resistance for the electric current. This appliance is equipped with a cord having an equipment-earthing conductor and an earthing plug. The plug must be plugged into an appropriate outlet that is installed and earthed in accordance with all local standards and requirements.

⚠ WARNING!

- Improper connection of the equipment earthing conductor can result in the risk of an electric shock.
- Check with a qualified electrician or service representative if you are in doubt whether the appliance is properly earthed.
- Do not modify the plug provided with the appliance. If the plug does not fit properly to the outlet, please have a qualified electrician to install a proper outlet.

Water Connection

How to Connect the Aqua-Stop Hose



The appliance must be connected to the water mains using new hose-sets. The old hose-sets should not be reused.

Water pressure must be between 0,04 MPa and 1 MPa. If the pressure is below the minimum consult our Service Department for advice.

- 1 Pull the Aqua-Stop hose completely out from the storage compartment located at the rear of the dishwasher.
- 2 Tighten the screws of the Aqua-Stop hose to the faucet with thread 3/4inch.
- 3 Turn water fully on before starting the dishwasher.

ABOUT THE Aqua-Stop Hose

The Aqua-Stop hose consists of double walls. The hose's system guarantees its intervention by blocking the flow of water in case of the supply hose breaking and when the air space between the supply hose itself and the outer corrugated hose is full of water.

⚠ WARNING!

A hose that attaches to a sink spray can burst if it is installed on the same water line as the dishwasher. If your sink has one, it is recommended that the hose be disconnected and the hole plugged.

How to Disconnect the Aqua-Stop Hose

- 1 Turn off the water.
- 2 Unscrew the Aqua-Stop hose from the water mains.

COLD WATER CONNECTION

Connect the cold water supply hose to a threaded 3/4 inch connector and make sure that it is fastened tightly in place. If the water pipes are new or have not been used for an extended period of time, let the water run to make sure that the water is clear and free of impurities. If this precaution is not taken, there is a risk that the water inlet valve can get blocked and damage the appliance.

HOT WATER CONNECTION

The water supply to the appliance can also be connected to the house hot water line (centralized system, heating system), as long as it does not exceed a temperature of 60 C. In this case, the wash cycle time will be shortened by about 15 minutes and the wash efficiency slightly reduced.

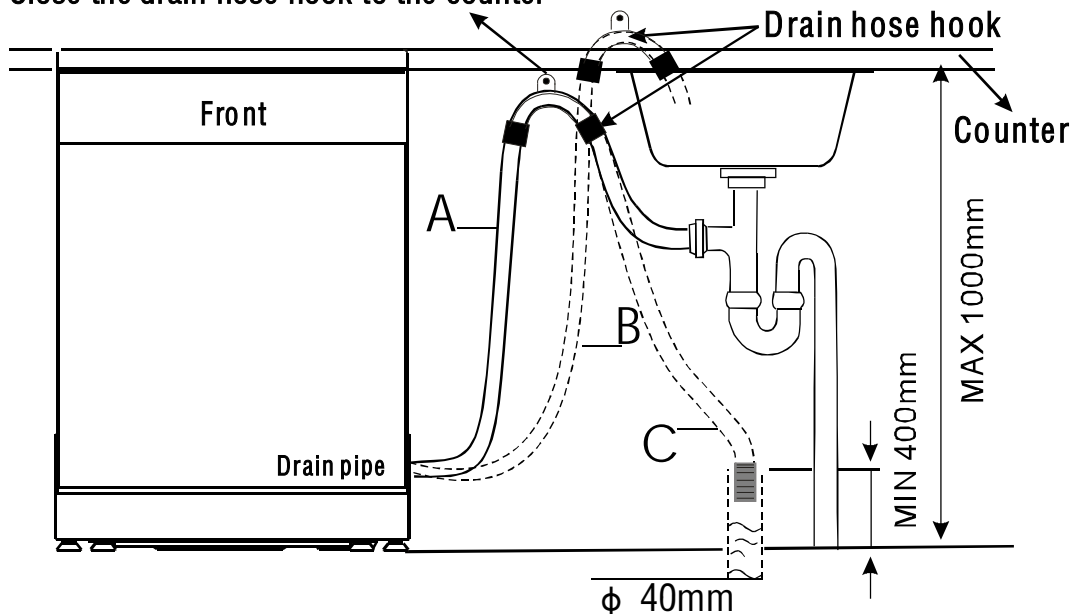
The connection must be made to the hot water line following the same procedures as those for the connection to the cold water line.

Drain hose Connection

Insert the drain hose into a drain pipe with a minimum diameter of 4 cm, or let it run into the sink, making sure to avoid bending or crimping. Use the special plastic support that comes with the appliance. The free end of the hose must be at a height between 40 and 100cm and must not be immersed in water.

! PLEASE HANG UP THE DRAIN HOSE EITHER WAY OF A, B, C

Close the drain hose hook to the counter



How to Drain Excess Water From Hoses

If the sink is 1000mm higher from the floor, the excess water in hoses cannot be drained directly into the sink. It will be necessary to drain excess water from hoses into a bowl or suitable container that is held outside and lower than the sink.

Water Outlet

Connect the water drain hose. The drain hose must be correctly fitted to avoid water leaks. Ensure that the water inlet hose is not kinked or squashed.

Extension Hose

If you need a drain hose extension, make sure to use a similar drain hose. It must be no longer than 4 metres, otherwise the cleaning effect of the dishwasher could be reduced.

Syphon Connection

The waste connection must be at a height of between 500mm (minimum) and 1000mm (maximum) from the bottom of the dish. The water drain hose should be fixed by a hose clip.

Start of Dishwasher

The following things should be checked before starting the dishwasher.

- The dishwasher is level and fixed properly
- The inlet valve is open
- There is no leakage at the connections
- The power cord is correctly connected
- The power is switched on
- The inlet and drain hoses are not knotted
- All packing materials and printings should be taken out from the dishwasher

! **Attention:** After installation, please make sure to keep this manual.
The content of this manual is very helpful to the users.

8. Troubleshooting Tips

Before Calling for Service

Review the charts on the following pages may save you from calling for service.



	<i>Problem</i>	<i>Possible Causes</i>	<i>What To Do</i>
Technical problems	<i>Dishwasher does not start</i>	Fuse blown, or the circuit breaker acted	Replace fuse or reset circuit breaker. Remove any other appliances sharing the same circuit with the dishwasher
		Power supply is not turned on	Make sure the dishwasher is turned on and the door is closed securely. Make sure the power cord is properly plugged into the wall socket.
		Water pressure is low	Check that the water supply is connected properly and the water is turned on.
	<i>water not pumped from dishwasher</i>	Door of dishwasher not properly closed.	Make sure to close the door properly and latch it.
		Kink in drain hose	Check drain hose.
General problems	<i>Suds in the tub</i>	Filter clogged	Check filters (see section titled "Cleaning The Filter")
		Kitchen sink clogged	Check the kitchen sink to make sure it is draining well. If the problem is the kitchen sink not draining, you may need a plumber rather than a serviceman for dishwashers.
	<i>Stained tub interior</i>	Improper detergent	Use only the special dishwasher detergent to avoid suds. If this occurs, open the dishwasher and let suds evaporate. Add 1 litre of cold water to the tub. Close and latch the dishwasher, then run a wash cycle for 1 minute to drain out the water. The first 1 minute of every program is draining the water. Repeat if necessary.
		Spilled rinse-aid	Always wipe up rinse-aid spills immediately.
	<i>White film on inside surface</i>	Detergent with colourant was used	Make sure that the detergent is the one without colourant.
Noise	<i>Knocking noise in the wash cabinet</i>	Hard water minerals	To clean the interior, use a damp sponge with dishwasher detergent and wear rubber gloves. Never use any other cleaner than dishwasher detergent for the risk of foaming or suds.
		A spray arm is knocking against an item in a basket	Interrupt the programme, and rearrange the items which are obstructing the spray arm.
	<i>Rattling noise in the wash cabinet</i>	Items of crockery are loose in the wash cabinet	Interrupt the programme and rearrange the items of crockery.
<i>Knocking noise in the water pipes</i>	This may be caused by on-site installation or the cross-section of the piping.	This has no influence on the dishwasher function. if in doubt, contact a suitably qualified plumber.	



Unsatis-
-factory
washing
result

<i>Problem</i>	<i>Possible Causes</i>	<i>What To Do</i>
<i>The dishes are not clean</i>	The dishes were not loaded correctly.	See notes in " Loading the Dishwasher " .
	The programme was not adequate.	Select a more intensive programme. See" Wash Cycle Table " .
	Not enough detergent was dispensed.	Use more detergent, or change your detergent.
	Items are blocking the path of spray arms.	Rearrange the items so that the spray can rotate freely.
	The filter combination in the base of wash cabinet is not clean or is not correctly fitted. This may cause the spray arm jets to get blocked.	Clean and/or fit the filter combination correctly. Clean the spray arm jets. See "Cleaning the Spray Arms".
<i>Cloudiness on glassware</i>	Combination of soft water and too much detergent.	Use less detergent if you have soft water and select a shortest cycle to wash the glassware and to get them clean.
<i>Black or gray marks on dishes</i>	Aluminum utensils have rubbed against dishes.	Use a mild abrasive cleaner to eliminate those marks.
<i>Detergent left in dispenser</i>	Dishes block the cover of detergent dispenser.	Re-loading the dishes properly.

Unsatis-
-factory
drying
result

<i>The dishes are not drying</i>	Improper loading	Load the dishwasher as suggested in the directions.
	Too little rinse-aid	Increase the amount of rinse-aid/refill the rinse-aid dispenser.
	Dishes are removed too soon	Do not empty your dishwasher immediately after washing. Open the door slightly so that the steam can escape. Begin unloading the dishwasher only once the dishes are barely warm to the touch. Empty the low basket first. This prevents water from dropping off dishes in the upper basket.
	Wrong program has been selected	In short programs the washing temperature is lower, which affects the drying performance. Choose a program with a longer washing time.
	Use of cutlery with a low-quality coating	Water drainage is more difficult with these items. Cutlery or dishes of this type are not suitable for washing in the dishwasher.

ERROR CODES

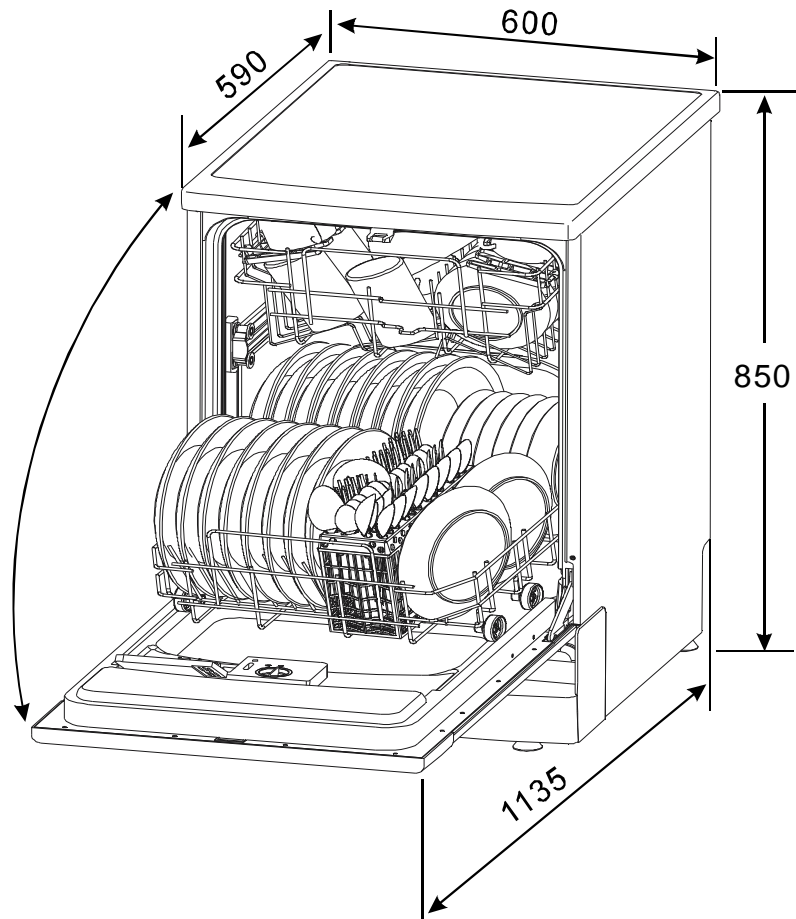
When a malfunction appears, the dishwasher will stop washing and sound for 30 seconds, then keep flashing quickly after to warn you:

<i>Codes</i>	<i>Meanings</i>	<i>Possible Causes</i>
<i>The soak program light keeps flashing quickly</i>	Longer inlet time.	Faucets is not opened, or water intake is restricted, or water pressure is too low.
<i>The 60 min express and 30 min express program lights keep flashing quickly</i>	Overflow.	Some element of dishwasher leaks .

⚠ WARNING!

- If overflow occurs, turn off the main water supply before calling a service.
- If there is water in the base pan because of an overfill or small leak, the water should be removed before restarting the dishwasher.

Technical Information



Height :	850mm
Width :	600mm
Depth :	590mm
Voltage connected Load :	see rating label
Water pressure:	0.04-1.0MPa
Hot water connection :	max 60 °C
Power supply:	230V-240V, 50Hz
Capacity:	12 Place settings